

PK-136

16 TONS





PK-136

16 TONS

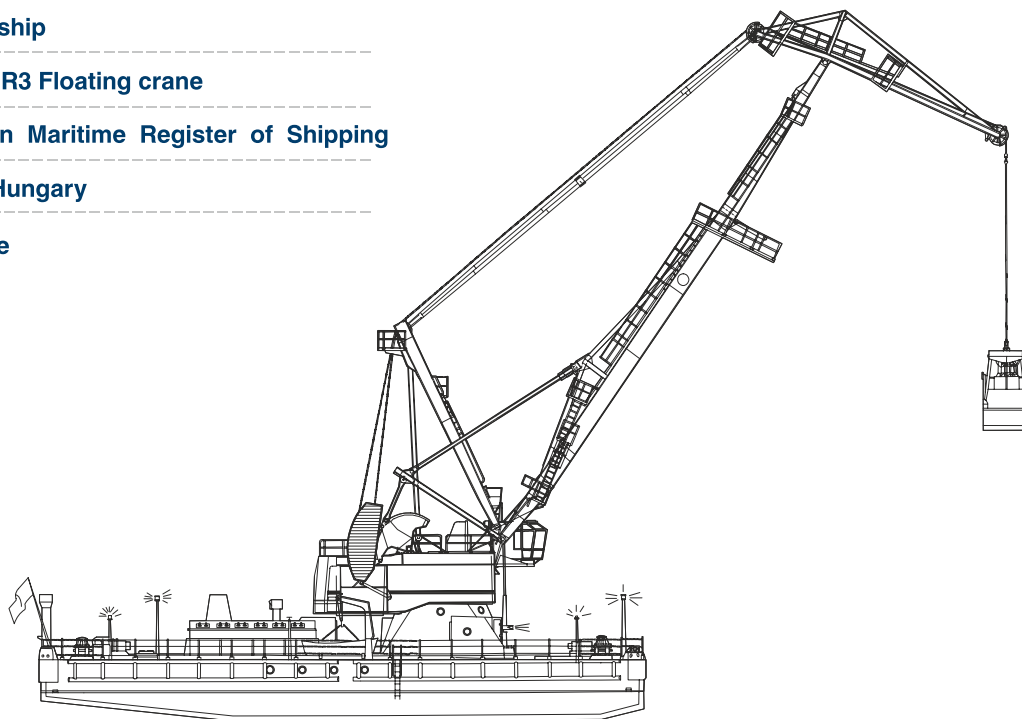
Type	Crane ship
Vessels Class	KE ☆ R3 Floating crane
Classification Society	Russian Maritime Register of Shipping
Built	1983, Hungary
Flag	Ukraine

Particulars

Length overall, m	32,22
Breadth, m	15,6
Depth, m	3,1
Draught, m	1,67
Airdraft, m	42,22
GRT, t	431
NRT, t	129
Deadweight,t	182
Displacement, t	763,5

Tank capacity

Fuel, t	55
Fresh water, t	7,4



Performance

Crane	Ganz
Grab operation capacity, t	16
Hook operation capacity, t	16
Hoisting height, m	16
Outreach, m	30